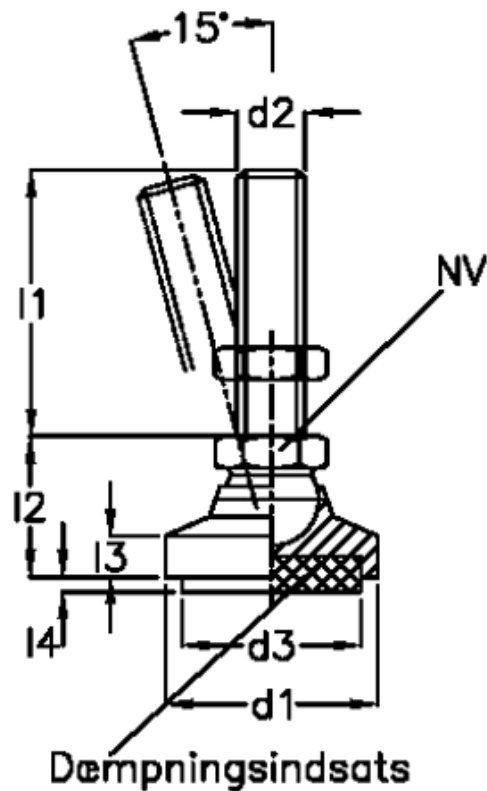


Article number: 20956517  
 Description: E+GLEvelling foot  
 GN 342.2-60-M16-80-SV

## Measures



Area(m <sup>2</sup> ) damping insert = 2641	l <sub>4</sub> compression 0.4 N/mm <sup>2</sup>	= 5.8
d <sub>1</sub> = 60	l <sub>4</sub> compression 0.6 N/mm <sup>2</sup>	= 4.9
d <sub>2</sub> = M16	Load (N) by compression 0.4 N/mm <sup>2</sup>	= 1050
d <sub>3</sub> = 58	NV	= 24
l <sub>1</sub> = 80	t	= 16.0
l <sub>2</sub> = 38.5		
l <sub>3</sub> = 11.0		
l <sub>4</sub> compression 0 N/mm <sup>2</sup> = 7.0		